

**LED Narrow beam downlight**

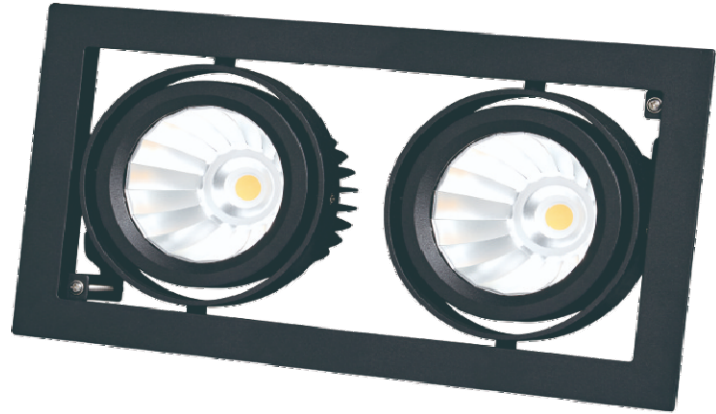
JETT series IP20 rated multi-spotlight,Twin heads, Trimmmed-A-G01C240, 2\*40W, 13500lm



Description:

Project: \_\_\_\_\_  
 Location: \_\_\_\_\_  
 Fixture Ref.: \_\_\_\_\_  
 Quantity: \_\_\_\_\_  
 Remarks: \_\_\_\_\_

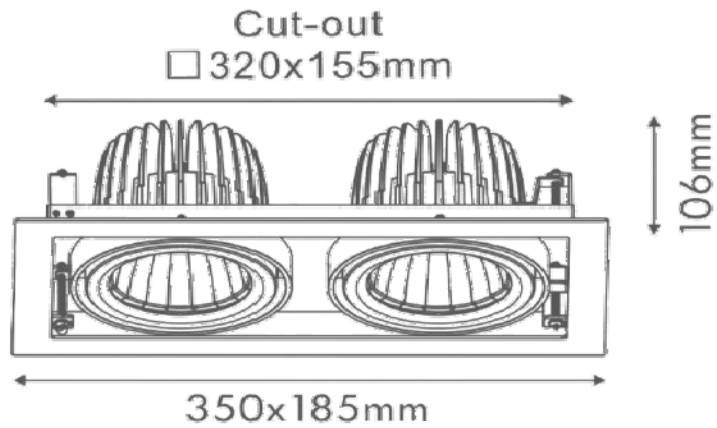
Picture:



**Specifications:**

Indoor/Outdoor	Indoor
Product No.:	A-G01C240
Input Voltage:	220-240Vac / 50-60 Hz
System Power:	2*40W as standard, 2*18W to customize
Type of light source:	Bridgelux COB LED
Color Rendering(CRI):	Ra 80 / Ra 90 SDCM<3
CCT:	2700K / 3000K / 3500K / 4000K
System Lumen:	10400 lm
System Efficacy:	130 lm/W
Light Distribution:	Directional
Flexibility:	15°/24°/36°/60°
UGR (4H 8H):	Four directions can be adjusted by 25°
IP Rating:	IP20
Color:	White / Black
Luminaire Lifetime:	50.000h (L80B50, Ta25°C)
Working Temperature:	-15 ~ +40 °C
Material:	Powder coated die-cast aluminium
Electrical Class	II
Photobiological Safety:	Risk Group 1
Dimming:	ON-OFF, TRIAC, 1-10V, DALI

Line Drawings:



**Mounting / Connection:**

Mounting:	Recessed, Indoor
Cut-out:	320 x155mm
Connection:	

**Packaging Information:**

N.W. Fixture (Kg)	
G.W. Carton	
Mater Carton Dimension:	
Qty per Carton:	

**Photometrics**

Please download from the website or consult the sales manager.

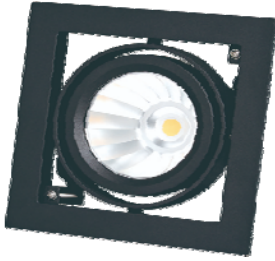
**Ordering Information:**

Model No.	Trim Shape	Product Type	Cut-out	Wattage	Color Rendering	CCT	Beam	IP Rating	Dimming Options
A-G01C140	S Square		155x155mm	1*40W	8 80+ CRI	27 2700K		IP20	F ON-OFF
A-G01C240			320 x155mm	2*40W	9 90+ CRI	30 3000K	NS (15°)		P PHASE DIM
A-G01C340		A Adjustable	450x 155mm	3*40W		35 3500K	MB (24°)		V 1~10V DIM
						40 4000K	MF (36°)		D DALI DIM
							FL (60°)		

make-up lens for Mirror downlight available

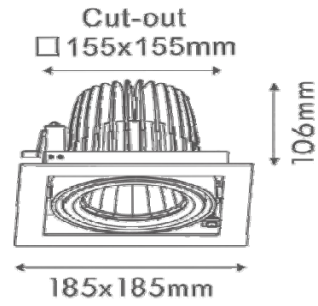
AMAZ reserves the right to alter material, dimensions and characteristics without prior notice. Lighting technology changes rapidly.

JETT 1

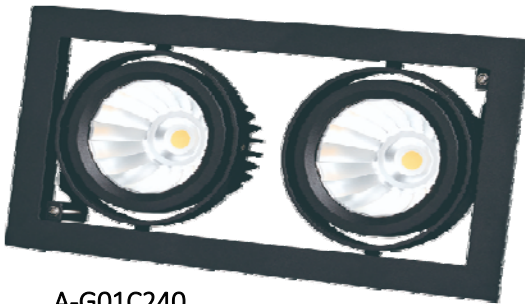


NEW

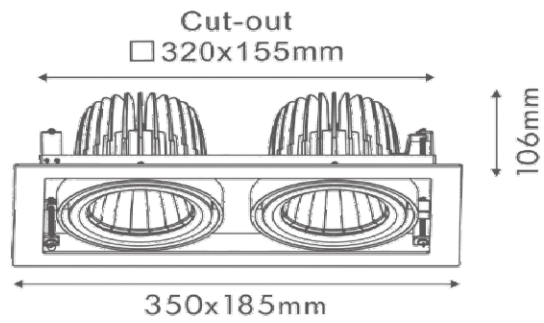
A-G01C140  
1\*40W, 5200lm



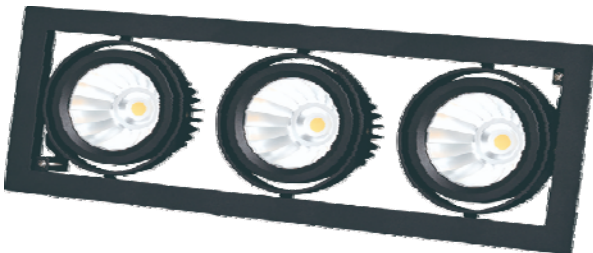
JETT 2



A-G01C240  
2\*40W, 10400lm



JETT 3



A-G01C340  
3\*40W, 15600lm

